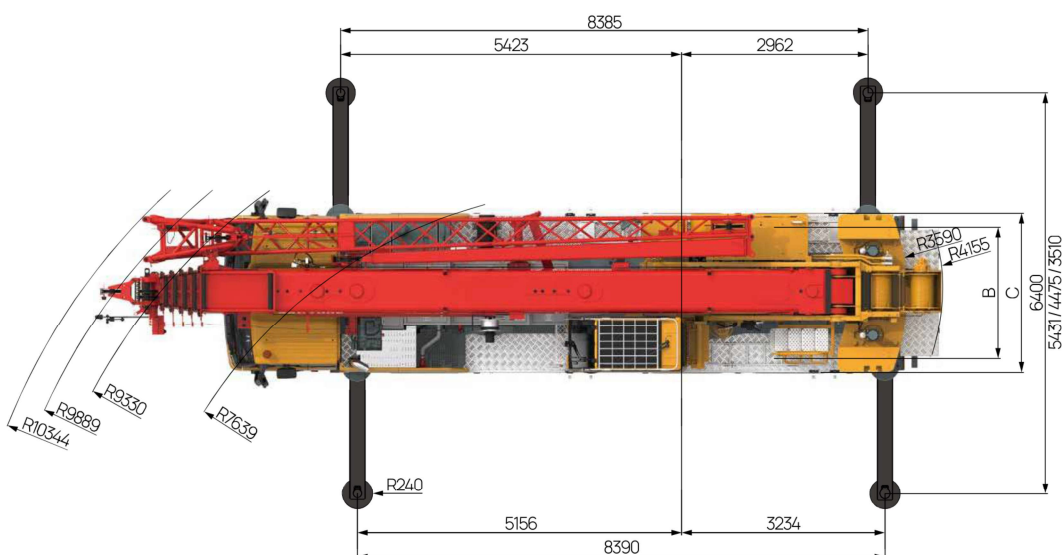
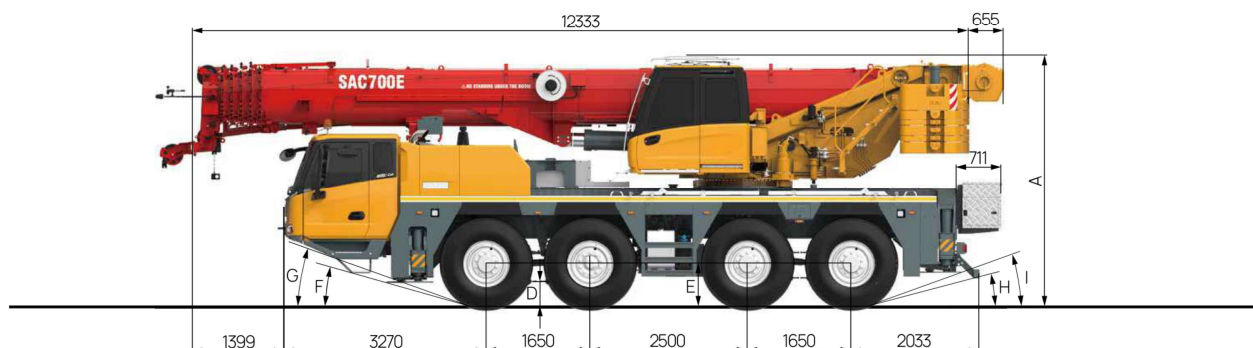


# OVERALL DIMENSIONS

## 整机尺寸

Unit: mm



⊙	A	A*	B	C	D	E	F	G	H	I
	mm	mm	mm	mm	mm	mm	°	°	°	°
385/95 R25	3935	3835	2170	2550	342	634	14	19	14	15
445/95 R25	3985	3885	2100	2550	392	684	15	20	15	16
525/80 R25	3985	3885	2260	2790	392	684	15	20	15	16

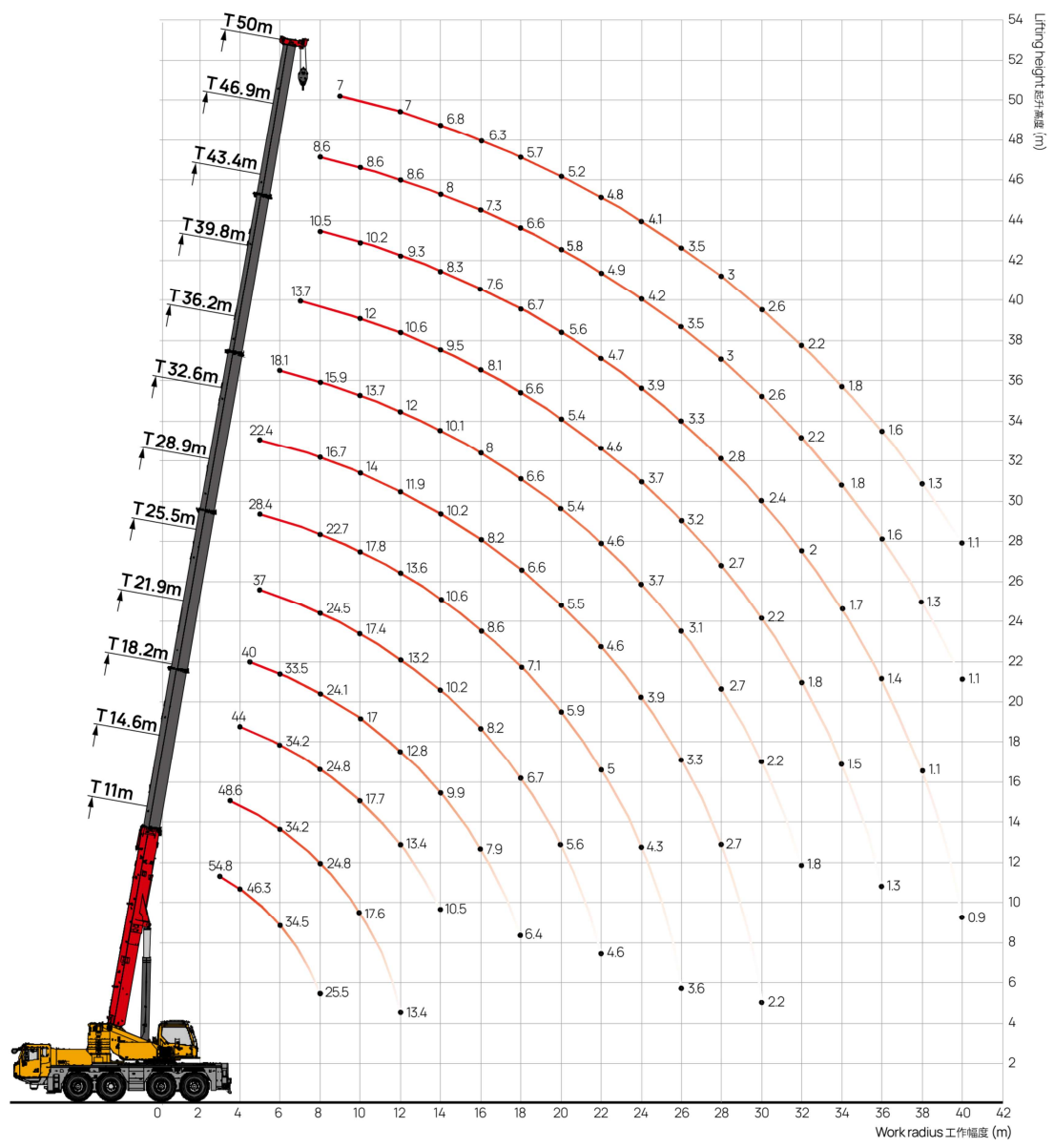
**Remark 备注:**

A column is calculated when suspension is at middle level. A\* column is calculated when suspension is at lowest level.

A列为悬挂处于中位, A\*列为悬挂处于最低位。

# OPERATING RANGE - Telescopic Boom (T)

## 起升高度曲线 - 主臂



# OPERATING RANGE - Telescopic Boom + Fixed Jib (TJ/TH)

## 起升高度曲线 - 主臂 + 副臂

